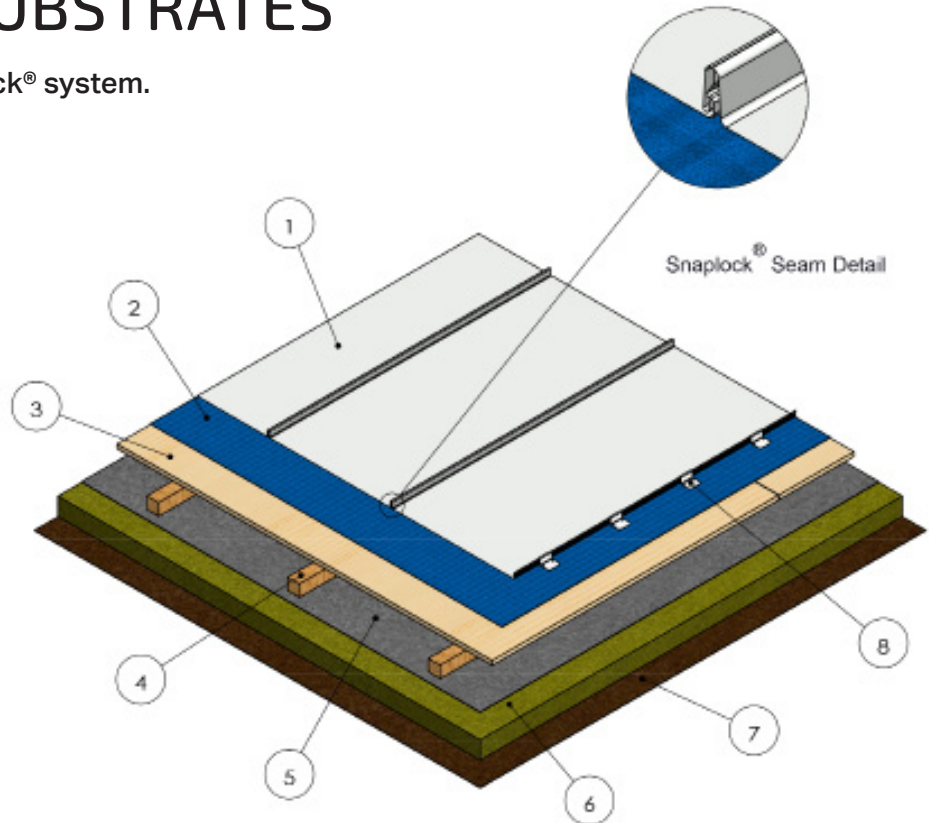


SNAPLOCK® SUBSTRATES

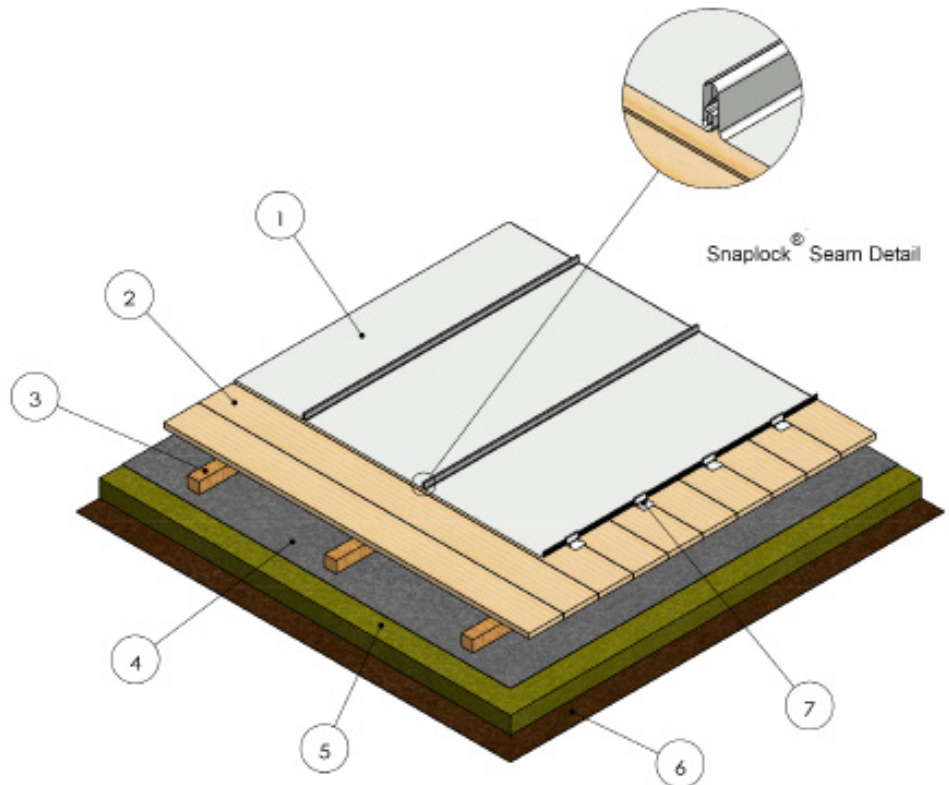
Build-up options for the Snaplock® system.

1. Snaplock® Seam Roofing
2. ISO-Mat Pro Underlay
3. 18mm WBP Plywood
4. Timber Batten
5. Breather Membrane
6. Insulation
7. Vapour Control Layer
8. Seam Clip



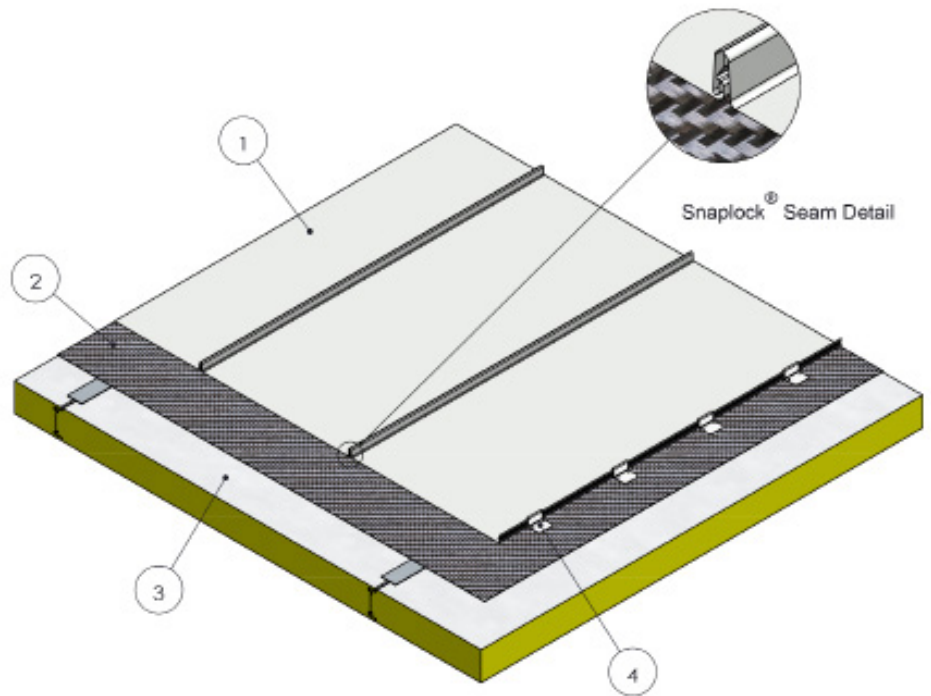
Ventilated Plywood

1. Snaplock® Seam Roofing
2. Open Gap Softwood
3. Timber Batten
4. Breather Membrane
5. Insulation
6. Vapour Control Layer
7. Seam Clip



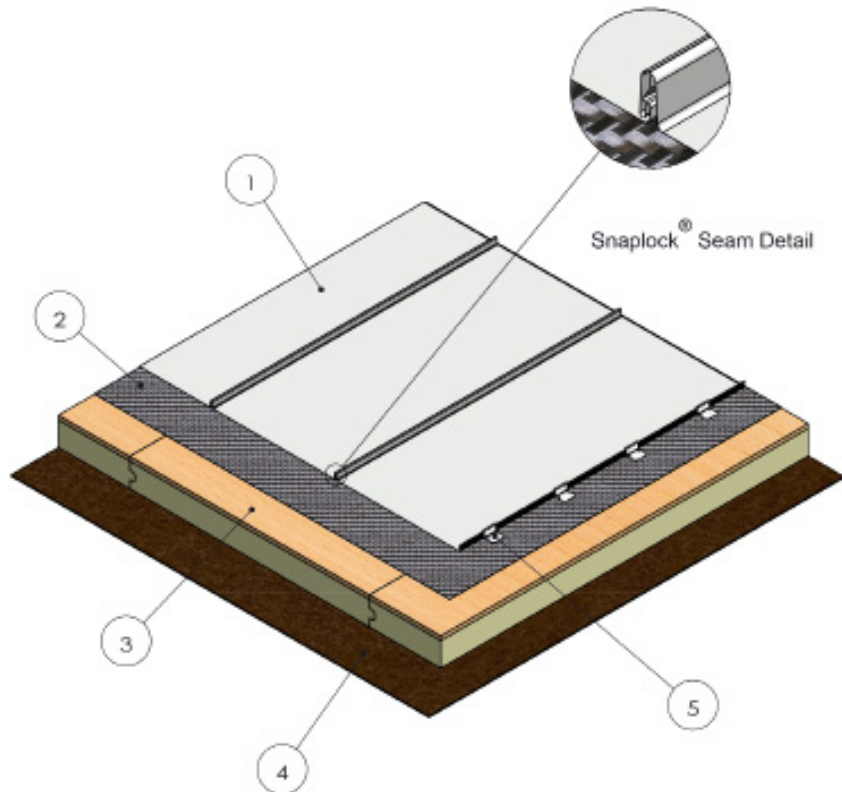
Softwood Board

SUBSTRATES



1. Snaplock® Seam Roofing
2. ISO-Mat Metal Structured Underlay
3. Composite Panel with Sealed Joints
4. Seam Clip

Composite Panel

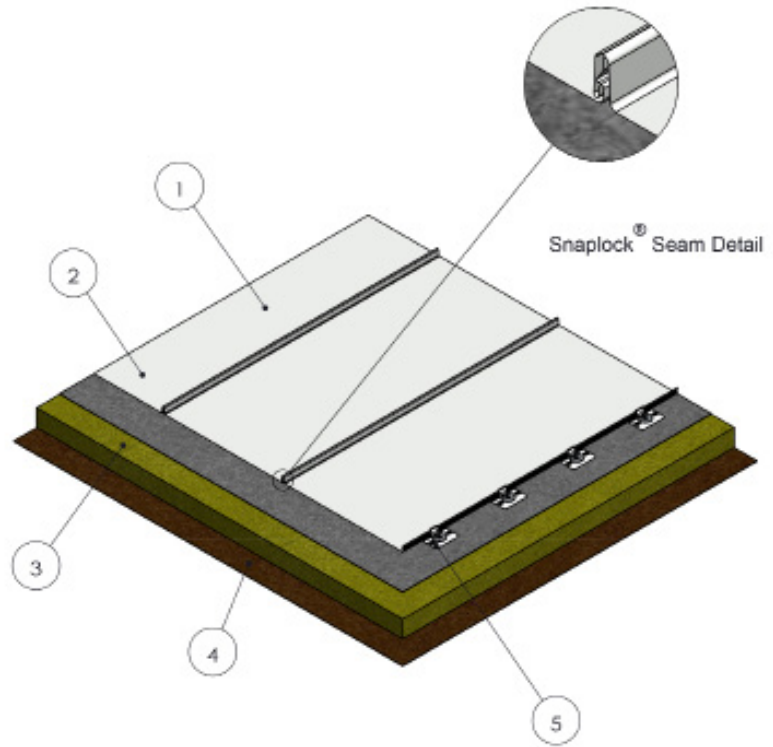


1. Snaplock® Seam Roofing
2. ISO-Mat Metal Structured Underlay
3. Hard Metal Board
4. Vapour Control Layer
5. Seam Clip

Hard Metal Board

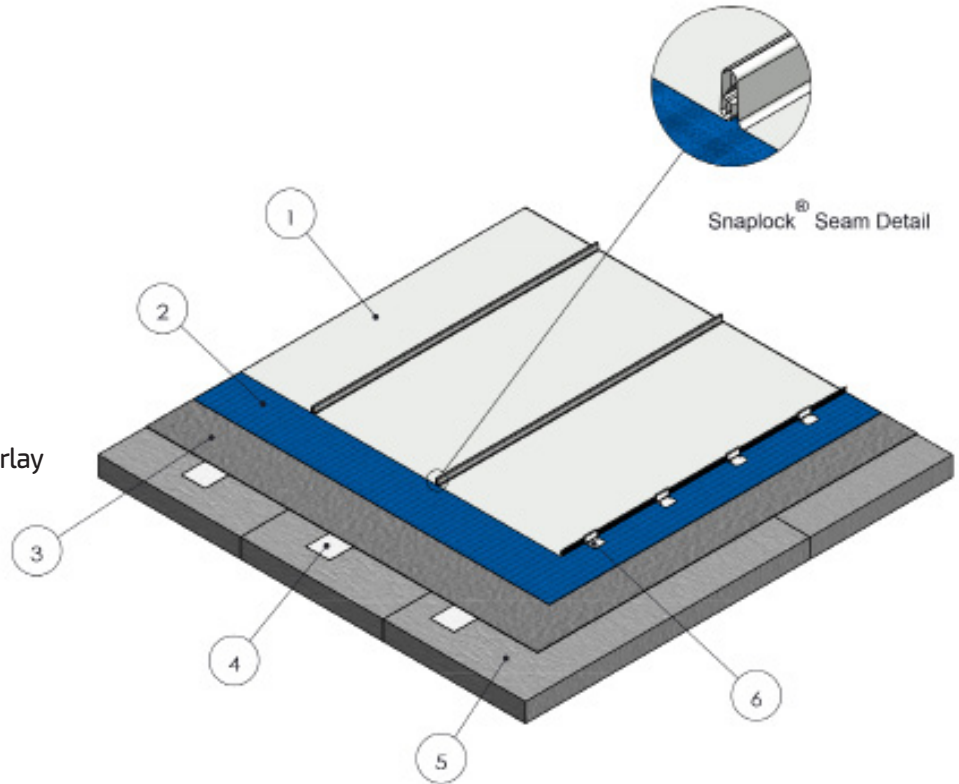
SUBSTRATES

1. Snaplock® Seam Roofing
2. ISO-Mat Metal Structured Underlay
3. Rigid Insulation
4. Vapour Control Layer
5. Warm Roof Seam Clip



Rigid Insulation

1. Snaplock® Seam Roofing
2. ISO-Mat Metal Structured Underlay
3. Torch On Felt
4. Fixing Plate
5. Cellular Glass Insulation
6. Seam Clip



Cellular Glass Insulation